

# SHIMANO

## SHIMANO EUROPA

Industrieweg 24 NL-8071 CT Nunspeet, Holland  
Phone 31-3412-72222

## SHIMANO AMERICAN CORPORATION

One Shimano Drive, P.O. Box 19615, Irvine,  
California U.S.A. 92713-9615 Phone 714-951-5003

## Small parts list for after market.

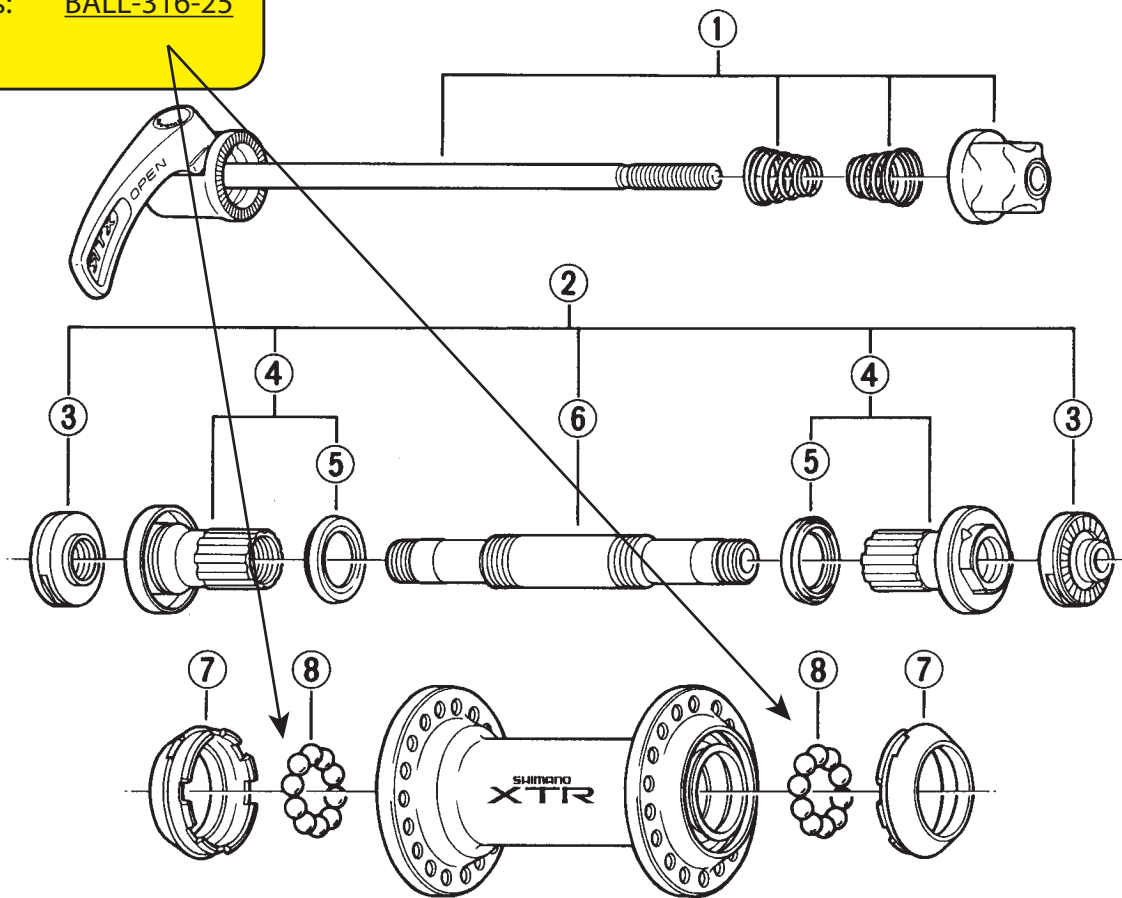
- You may photocopy this sheet and use it as an order form.
- Sie können dieses Blatt kopieren und als Bestellformular verwenden.
- Vous pouvez photocopier cette feuille et l'utiliser comme bon de commande.
- Dit blad kan gecopieerd en als bestelformulier gebruikt worden.
- Potete fotocopiare questo foglio e usarlo come modulo di commissione.

### Wheels Mfg Part #:

Click on part # to order from [wheelsmfg.com](http://wheelsmfg.com)

Loose Bearings: [BALL-316-25](#)

## SHIMANO XTR Front Hub HB-M950



WHEELS MANUFACTURING INC.

Wheels Mfg Part #	Q'TY	ITEM NO.	PART NO.	DESCRIPTION
		1	23R 9010	Complete Quick Release 133 mm (5-1/4")
		2	23R 9801	Complete Hub Axle 95.3 mm (3-3/4")
		3	23R 9050	Lock Nut (M9)
		4	23R 9802	Cone (M11 x 30.1 mm) w/Dust Cover & Seal Ring
		5	23F 0500	Seal Ring
		6	23L 0200	Hub Axle 95.3 mm (3-3/4")
		7	23R 0500	Cap
<b>BALL-316-25</b>		8	000 9127	Stainless Ball (3/16") 22 pcs.

Over Lock Nut Dimension: 100 mm (3-15/16")

04 Printed in Japan 9512-1592