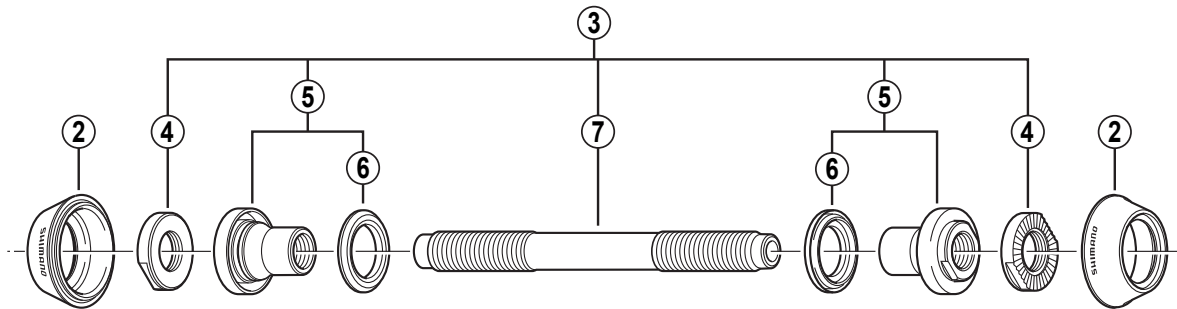
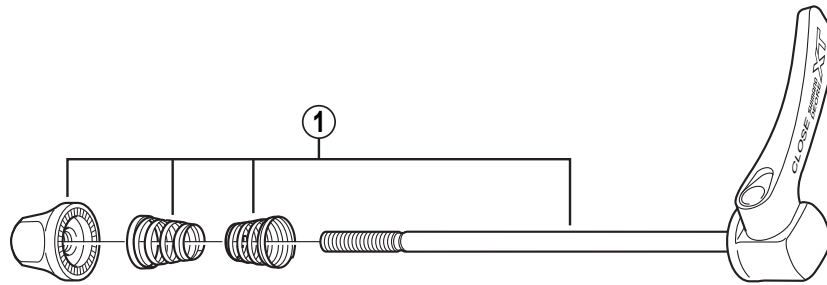


DEORE XT Front Hub (for Disc Brake)

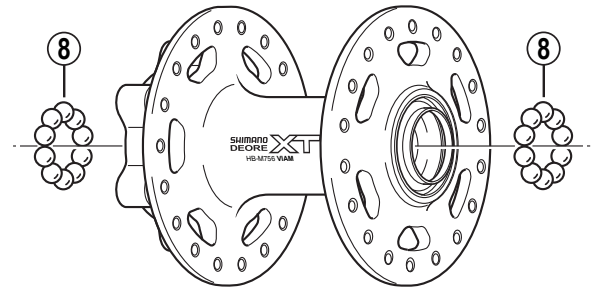
**HB-M756-S** Silver Version

**HB-M756-L** Black Version



**Wheels Mfg Part #:**  
Click on part # to order from [wheelsmfg.com](http://wheelsmfg.com)

Loose Bearings: **BALL-316-25**



WHEELS MANUFACTURING INC.

• Over Lock Nut Dimension: 100 mm (3-15/16")

ITEM NO.	Wheels Mfg Part #	SHIMANO CODE NO.	DESCRIPTION	INTERCHANGEABILITY	
				HB-M755	HB-M555
1		<b>Y-24N 98010</b>	Complete Quick Release 133 mm (5-1/4") for HB-M756-S	A	B
		<b>Y-24N 98020</b>	Complete Quick Release 133 mm (5-1/4") for HB-M756-L	A	B
2		<b>Y-21R 02000</b>	Rubber Seal	A	
3		<b>Y-24N 98030</b>	Complete Hub Axle 108 mm (4-1/4")	A	A
4		<b>Y-24C 05100</b>	Serrated Lock Nut 3.5 mm	A	A
5		<b>Y-24N 98040</b>	Cone (M10 x 21.8 mm) w/Dust Cover & Seal Ring	A	A
6		<b>Y-214 06000</b>	Seal Ring	A	A
7		<b>Y-21S 02000</b>	Hub Axle 108 mm (4-1/4")	A	A
8	<b>BALL-316-25</b>	<b>Y-000 91210</b>	Steel Ball (3/16") 20 pcs.	A	A

A : Same parts.

B : Parts are usable, but differ in materials, appearance, finish, size, etc.

Absence of mark indicates non-interchangeability.

0108-2098

Specifications are subject to change without notice.

© 2001 by Shimano Inc.

**SHIMANO®**