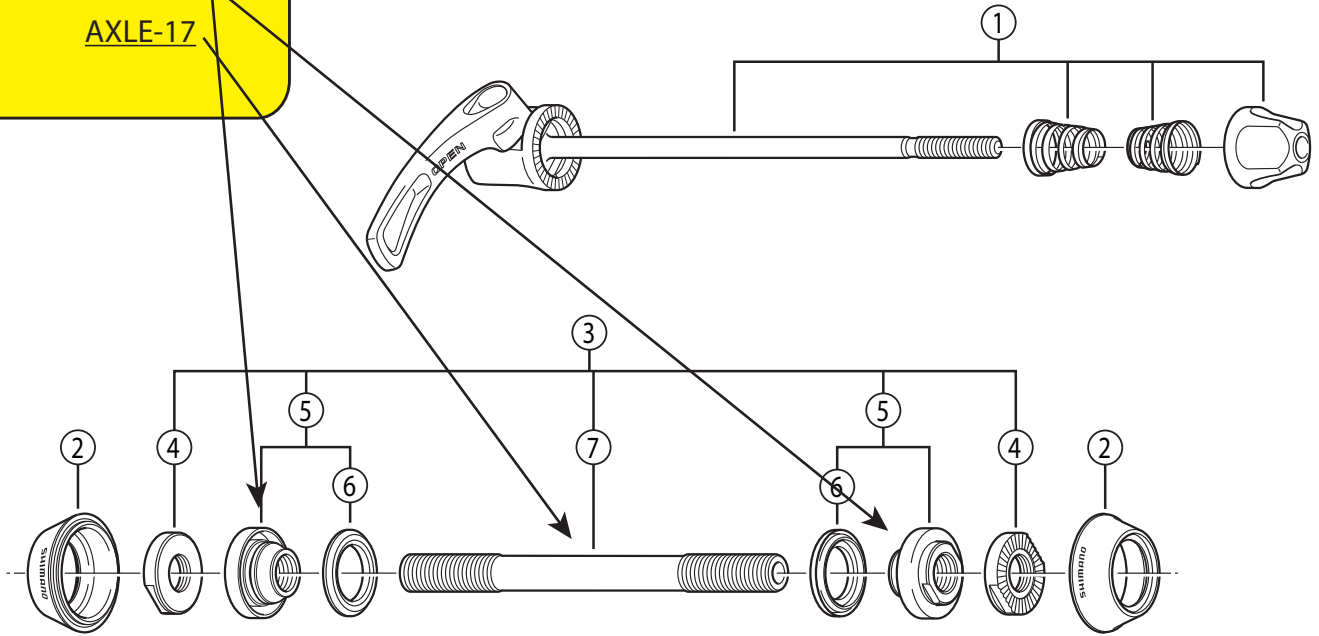
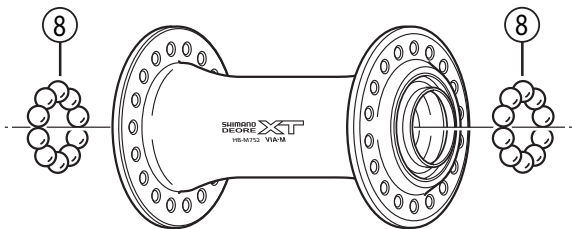


Wheels Mfg Part #:
 Click on part # to order from wheelsmfg.com
 Cones: [CN-R099](#)
 Axle: [AXLE-17](#)



Wheels Mfg Part #:
 Click on part # to order from wheelsmfg.com
 Loose Bearings: [BALL-316-25](#)



WHEELS MANUFACTURING INC.

• Over Lock Nut Dimension: 100 mm (3-15/16")

ITEM NO.	Wheels Mfg Part #	SHIMANO CODE NO.	DESCRIPTION	INTERCHANGEABILITY
1		Y-24N 98010	Complete Quick Release 133 mm (5-1/4") for HB-M752-S	B
		Y-24N 98020	Complete Quick Release 133 mm (5-1/4") for HB-M752-L	B
2		Y-21R 02000	Rubber Seal	A
3		Y-25K 98010	Complete Hub Axle 108 mm (4-1/4")	B
4		Y-24C 05000	Serated Lock Nut 3.5 mm	
5	CN-R099	Y-21R 98030	Cone (M9 x 12.8 mm) w/Dust Cover & Seal Ring	B
6		Y-214 06000	Seal Ring	A
7	AXLE-17	Y-216 07009	Hub Axle 108 mm (4-1/4")	A
8	BALL-316-25	Y-000 91210	Steel Ball (3/16") 20 pcs.	A

A : Same parts.

B : Parts are usable, but differ in materials, appearance, finish, size, etc.

Absence of mark indicates non-interchangeability.

Specifications are subject to change without notice.

HB-M750