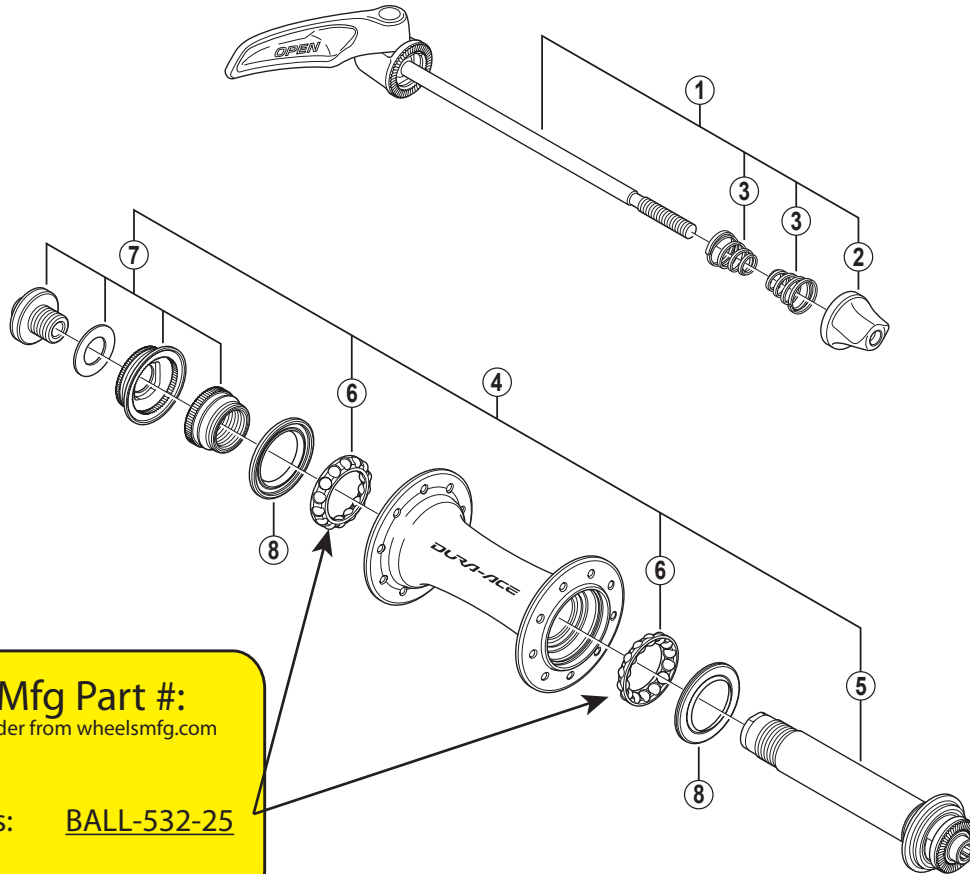


DURA-ACE Front Hub HB-9000



Wheels Mfg Part #:
Click on part # to order from wheelsmfg.com

Loose Bearings: [BALL-532-25](#)



WHEELS MANUFACTURING INC.

• Over Lock Nut Dimension: 100 mm (3-15/16")

ITEM NO.	Wheels Mfg Part #	SHIMANO CODE NO.	DESCRIPTION	INTERCHANGE-ABILITY
1		Y28E98010	Complete Quick Release 133 mm (5-1/4")	B
2		Y28E98020	Quick Release Nut	B
3		Y23321000	Volute Spring	A
4		Y28E98030	Complete Hub Axle	B
5		Y28E98040	Hub Axle Unit	
6	BALL-532-25	Y4BN98030	Ball Retainer (5/32")	A
7		Y28E98050	Left Hand Lock Bolt Unit	
8		Y4EF27000	Seal Ring	A

A: Same parts.

B: Parts are usable, but differ in materials, appearance, finish, size, etc.

Absence of mark indicates non-interchangeability.

HB-7900

Jul.-2012-3328
© Shimano Inc. I

Specifications are subject to change without notice.

SHIMANO