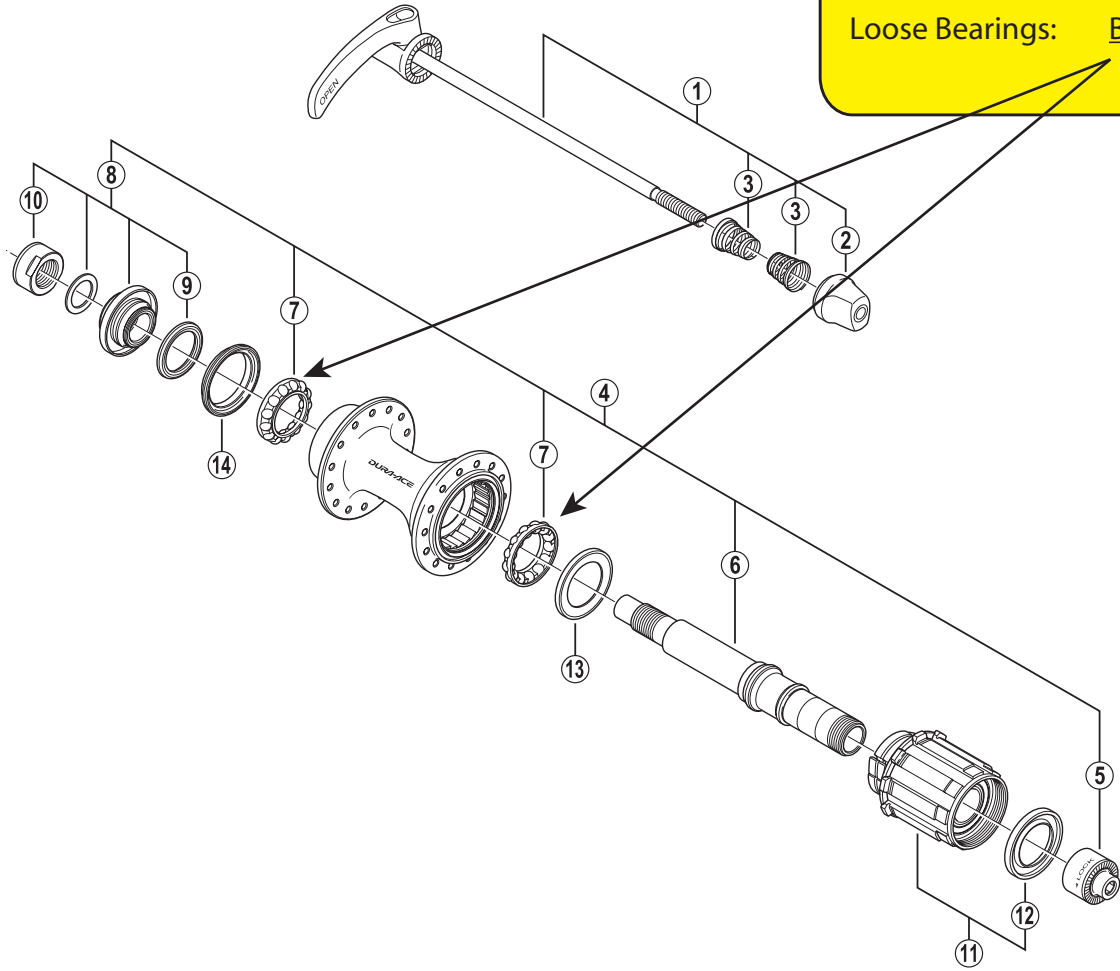


DURA-ACE Freehub
FH-7801 10-Speed

Wheels Mfg Part #:
 Click on part # to order from wheelsmfg.com

Loose Bearings: [BALL-316-25](#)



WHEELS MANUFACTURING INC.

• Use with CS-7800.

ITEM NO.	Wheels Mfg Part #	SHIMANO CODE NO.	DESCRIPTION
1		Y-3B9 90100	Complete Quick Release 163 mm (6-13/32")
2		Y-25R 98020	Quick Release Nut
3		Y-233 21000	Volute Spring
4		Y-3CM98010	Complete Hub Axle 130.3 mm (5-1/8")
5		Y-3CM98020	Right Hand Lock Nut (M15)
6		Y-3CM98030	Hub Axle 130.3 mm (5-1/8")
7	BALL-316-25	Y-25R 98080	Ball Retainer (3/16")
8		Y-3CM98040	Left Hand Lock Nut Unit
9		Y-25R 04000	Left Hand Seal Ring
10		Y-3B9 98050	Left Hand Lock Nut (M12)
11		Y-3CM98060	Complete Freewheel Body
12		Y-3CM11000	Sub Unit Rubber Seal
13		Y-3B9 18000	Inner Seal Ring
14		Y-25R 06000	Inner Dust Cap

Over Lock Nut Dimension: 130 mm (5-1/8")

0507-2512

Specifications are subject to change without notice.

SHIMANO