

Spare parts list for after market.

- You may photocopy this sheet and use it as an order form.
- Sie können dieses Blatt kopieren und als Bestellformular verwenden.
- Vous pouvez photocopier cette feuille et l'utiliser comme bon de commande.
- Dit blad kan gecopieerd en als bestelformulier gebruikt worden.
- Potete fotocopiare questo foglio e usarlo come modulo di commissione.

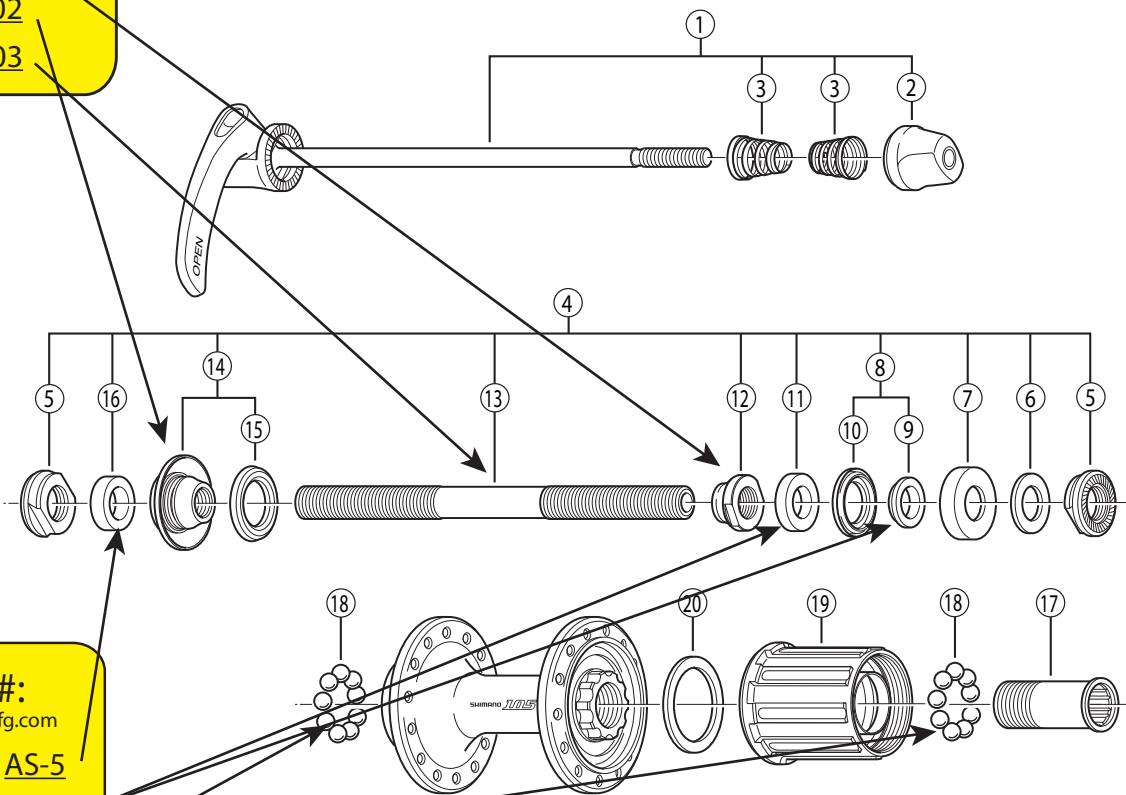
SHIMANO 105 Freehub FH-5500 9-Speed

Wheels Mfg Part #:
 Click on part # to order from wheelsmfg.com

Right Cone: [CN-R060](#)

Left Cone: [CN-R002](#)

Axle: [AXLE-03](#)



Wheels Mfg Part #:
 Click on part # to order from wheelsmfg.com

Axle Spacer: [AS-5](#)

Axle Spacer: [AS-4](#)

Loose Bearings: [BALL-14-25](#)



WHEELS MANUFACTURING INC.

• Use with CS-HG70-9.

Wheels Mfg Part #	ITEM NO.	SHIMANO CODE NO.	DESCRIPTION
	1	32X 9020	Complete Quick Release 163 mm (6-13/32")
	2	23W 9110	Quick Release Nut
	3	231 1100	Volute Spring
	4	32X 9801	Complete Hub Axle 141 mm (5-9/16")
	5	3A0 2200	Serrated Lock Nut 4.6 mm
	6	301 0810	Right Hand Washer 1.2 mm
	7	3A0 0510	Right Hand Dust Cap
	8	32X 9802	Right Hand Axle Spacer & Seal Ring
AS-4	9	31V 0300	Right Hand Axle Spacer 3.7 mm
	10	214 0600	Right Hand Seal Ring
AS-4	11	32X 1400	Right Hand Axle Spacer 3.75 mm
CN-R060	12	3AE 0300	Right Hand Cone (M10 x 9 mm)
AXLE-03	13	301 0510	Hub Axle 141 mm (5-9/16")
CN-R002	14	32X 9803	Left Hand Cone (M10 x 16 mm) w/Dust Cover & Seal Ring
	15	377 1000	Left Hand Seal Ring
AS-5	16	32X 1300	Left Hand Axle Spacer 4.8 mm
	17	359 0400	Body Fixing Bolt
BALL-14-25	18	000 9131	Steel Ball (1/4") 18 pcs.
	19	32X 9804	Complete Freewheel Body w/Right Hand Dust Cap
	20	375 0400	Freewheel Body Washer