

SHIMANO SORA Freehub FH-3300 8-Speed



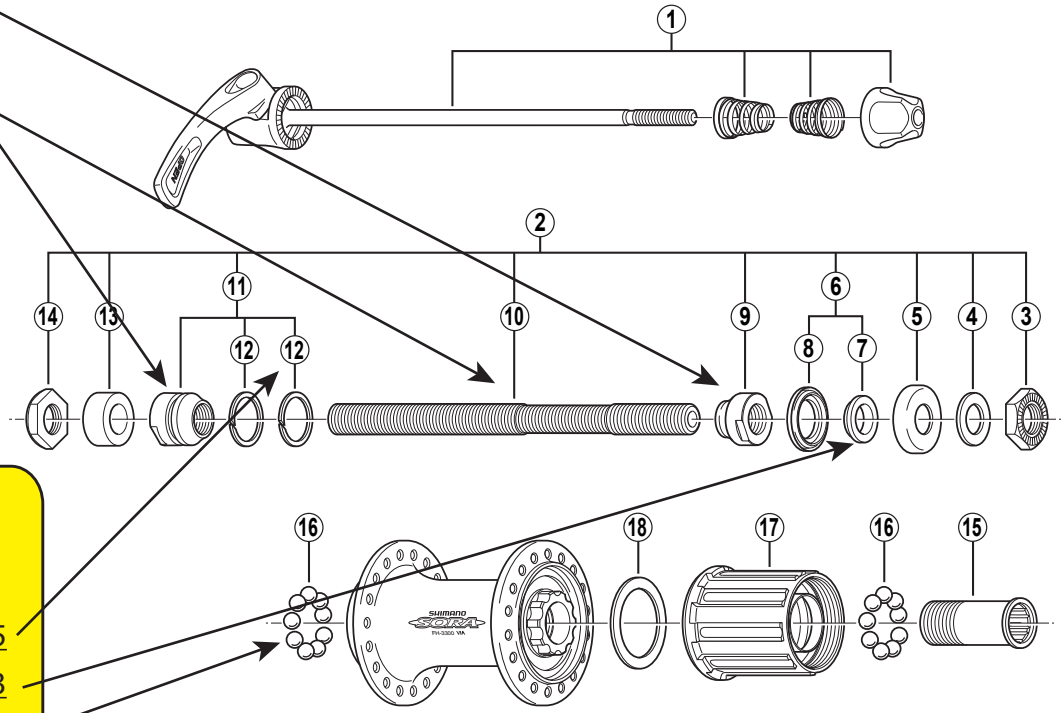
Wheels Mfg Part #:

Click on part # to order from wheelsmfg.com

Right Cone: [CN-R108](#)

Left Cone: [CN-R002](#)

Axle: [AXLE-03](#)



Wheels Mfg Part #:

Click on part # to order from wheelsmfg.com

Axle Spacer: [AS-3 + AS-5](#)

Axle Spacer: [AS-0.5R + AS-3](#)

Loose Bearings: [BALL-14-25](#)

FH-5500
FH-4400
FH-A416

- Over Lock Nut Dimension: 130 mm (5-1/8")
- Use with CS-HG50-8.

ITEM NO.	Wheels Mfg Part #	SHIMANO CODE NO.	DESCRIPTION	INTERCHANGEABILITY
1		Y-3AV 90130	Complete Quick Release 163 mm (6-13/32")	B A A
2		Y-3BJ 98010	Complete Hub Axle 141 mm (5-9/16")	B B
3		Y-220 05011	Right Hand Serated Lock Nut 4.5 mm	A
4		Y-301 08100	Right Hand Washer 1.2 mm	A A
5		Y-3A0 05100	Right Hand Dust Cap	A A A
6		Y-32X 98020	Right Hand Axle Spacer & Seal Ring	A A A
7	AS-0.5R + AS-3	Y-31V 03000	Right Hand Axle Spacer 3.7 mm	A A A
8		Y-214 06000	Right Hand Seal Ring	A A A
9	CN-R108	Y-3BH 02000	Right Hand Cone (M10 x 12.7 mm)	A
10	AXLE-03	Y-30K 01100	Hub Axle 141 mm (5-9/16")	B A A
11	CN-R002	Y-220 98080	Left Hand Cone (M10 x 15.1 mm) & Seal Rings	A
12		Y-299 05000	Left Hand Seal Ring	A
13	AS-3 + AS-5	Y-220 04110	Left Hand Axle Spacer 8 mm	A
14		Y-220 05031	Left Hand Serated Lock Nut 4 mm	A
15		Y-359 04000	Body Fixing Bolt	A A A
16	BALL-14-25	Y-000 91310	Steel Ball (1/4") 18 pcs.	A A A
17		Y-32X 98040	Complete Freewheel Body w/Right Hand Dust Cap	A A B
18		Y-375 04000	Freewheel Body Washer	A A A

The table indicates the adaptability of conventional parts to FH-3300.

A : Same parts.

B : Parts are usable, but differ in materials, appearance, finish, size, etc.

Absence of mark indicates non-interchangeability.

9906-1862

Specifications are subject to change without notice.

SHIMANO