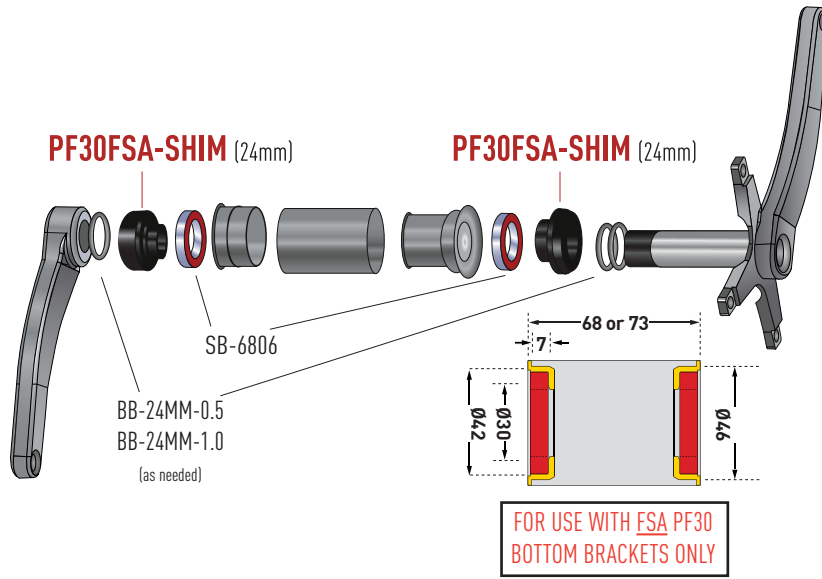


# TECHNICAL NOTES: PF30FSA-SHIM ADAPTERS



## Recommended tools:

- Plastic or rubber mallet
- Grease
- 5mm Allen Wrench
- Torque Wrench

## PF30FSA-SHIM PART LIST

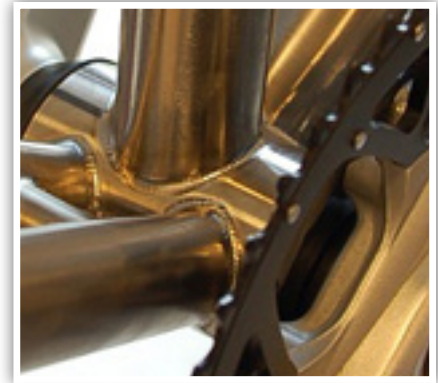
Part #	Description	QTY Included
PF30FSA-SHIM	PF30-24MM CRANK SPINDLE SHIMS	2
SB-6806	6806, 42 X 30 X 7MM BEARING	SOLD SEPARATELY
BB-24MM-0.5	0.5MM SPACER FOR 24MM BB SPINDLE	SOLD SEPARATELY
BB-24MM-1.0	1.0MM SPACER FOR 24MM BB SPINDLE	SOLD SEPARATELY



1. If not already installed, press the PF30 bottom bracket cups into frame. Remove outer dust covers, if present. (Do not remove the bearing seals). Start inserting adapters into bottom bracket bearings by hand.



2. Seat adapters using a rubber mallet.



3. Install crank spindle through adapters and tighten per manufacturer's instructions. Take up any play in your cranks with our Crank Spindle Spacers and place as shown above.

All Wheels Mfg. products have a lifetime warranty and are 100% guaranteed to work for you upon purchase. We accept returns or refunds only if purchased directly from us. For a refund, a product must be purchased directly from Wheels Mfg. and must be returned in new condition with original packaging and receipt. Email us ([customerservice@wheelsmfg.com](mailto:customerservice@wheelsmfg.com)) or call (1-800-361-8422) for a Return Authorization number. Freight charges to Wheels Mfg. are the responsibility of the customer.

We accept products purchased through Wheels Mfg. Authorized Resellers for exchange only. For refunds, please return the product to that Reseller. If the product was purchased from an internet seller or local bike shop, please return the product to them for exchange or refund.

Wheels Mfg will replace or refund defective products at our discretion.