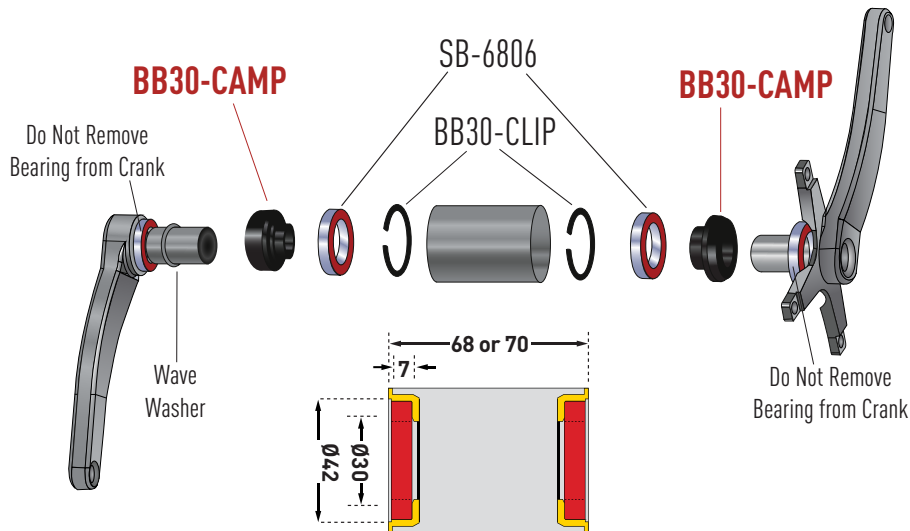


TECHNICAL NOTES: BB30-CAMP ADAPTERS



Recommended tools:

- Plastic or rubber mallet
- Grease
- 10mm Allen Wrench
- Torque Wrench

BB30-CAMP PART LIST

Part #	Description	QTY Included
BB30-CAMP-LEFT	BB30 25MM CRANK SPINDLE SHIMS	1
BB30-CAMP-RIGHT	BB30 25MM CRANK SPINDLE SHIMS	1
BB30-CLIP	BB30 RETAINING CLIP	SOLD SEPARATELY
SB-6806	6806, 42 X 30 X 7MM BEARING	SOLD SEPARATELY



1. Confirm that all clips and bearings are installed into BB30 bottom bracket shell. Identify left and right side adapters.



2. Install right adapter into the 6806 bearing on the right side of the bottom bracket. Tap into place with a soft-faced mallet. Push right crank with its factory-installed bearing in to the right adapters. Tap into place.



3. Push the left crank with its factory-installed bearing into the left adapter. Align correctly with the right crank and tap into place. NOTE: The wave washer goes between the crank bearing and the left side adapter. Tighten to Campy Ultra-Torque crank to Campagnolo specifications.

All Wheels Mfg. products have a lifetime warranty and are 100% guaranteed to work for you upon purchase. We accept returns or refunds only if purchased directly from us. For a refund, a product must be purchased directly from Wheels Mfg. and must be returned in new condition with original packaging and receipt. Email us (customerservice@wheelsmfg.com) or call (1-800-361-8422) for a Return Authorization number. Freight charges to Wheels Mfg. are the responsibility of the customer.

We accept products purchased through Wheels Mfg. Authorized Resellers for exchange only. For refunds, please return the product to that Reseller. If the product was purchased from an internet seller or local bike shop, please return the product to them for exchange or refund.

Wheels Mfg will replace or refund defective products at our discretion.